

## TIREX 150 kg - stainless steel model



Hand spurgear winch 150 kg, stainless steel model (with stainless steel mounting plate).

Use:

- Lifting or pulling/hauling operations
- Indoor - Outdoor
- Operating temperature between -10°C and +50°C
- Flat position
- Lifting doors
- Opening of traps
- On trailers, masts...

Comply with Machines Directive 2006/42/EC. Developed and manufactured in accordance with standard NF E N 13157.

### Technical properties

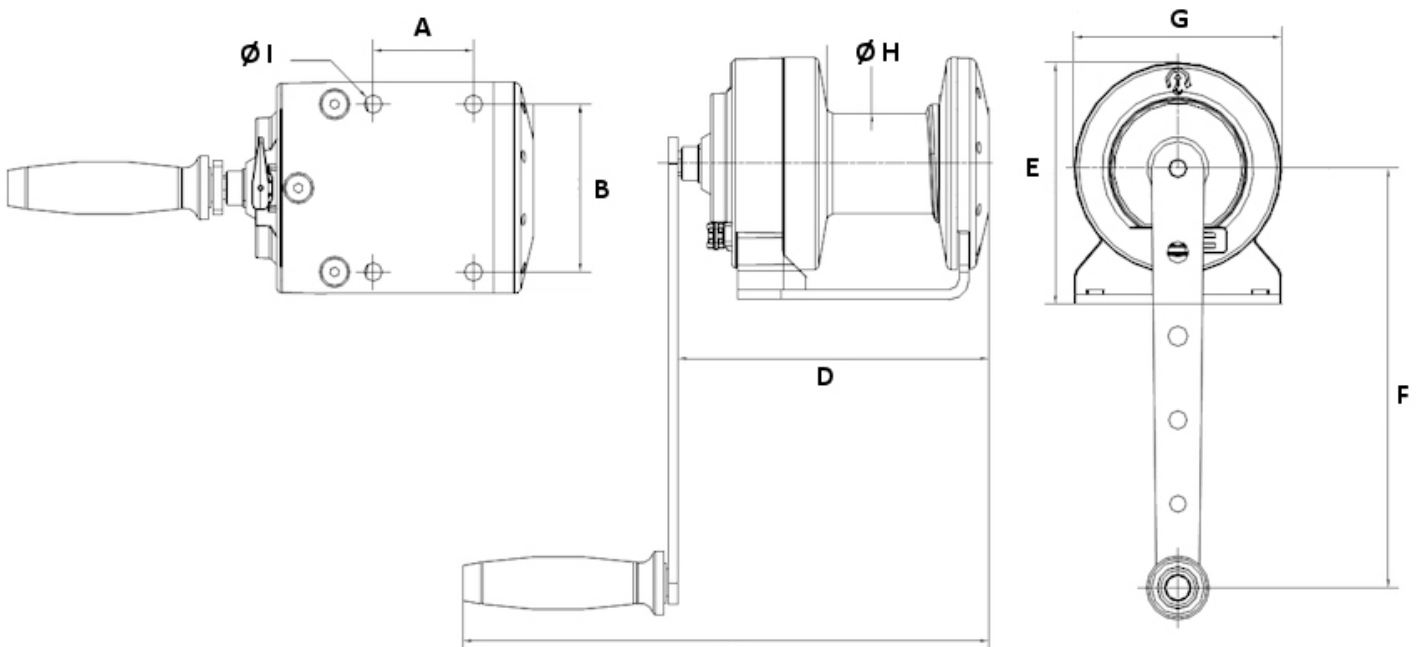
- A new generation, compact winch taking advantage of the qualities of composite materials and aluminium, especially their anti-corrosion properties.
- High force/compact and density ratio.
- Many possibilities of wire rope exit (over 250°).
- Ergonomically and comfortably shaped crank grip.
- Removable crank.
- Stainless steel spring and pawls.
- Automatic brake.
- Stainless steel mounting plate.
- Disengageable drum, no load only, associated with a failsafe system in the rope wind direction (patented).
- Planetary reducer in a sealed casing.
- Gear system with satellite pinions offering excellent mechanical balance and reducing the effort required on the crank.

## Technical characteristics of TIREX 150 kg - stainless steel model

Capacity 1st layer kg	250
Capacity top layer kg	150
Nb of layers	6
Wire rope cap. 1st layer m	2,5
Max. rope capacity m	24
Wire rope Ø mm	4
Weight (without wire rope) kg	3,7
Lift per crank revolution mm	40
Max. hand force on crank kg	8

## Dimensions

A mm	61
B mm	100
C mm	320
D mm	189
E mm	144
F mm	250
G mm	126
H mm	60
I mm	11



## Technical characteristics of the other models of the range

References	TIREX300INOX	TIREX300	TIREX150	TIREX150INOX
Capacity 1st layer kg	400	400	250	<b>250</b>
Capacity top layer kg	300	300	150	<b>150</b>
Nb of layers	3	3	6	<b>6</b>
Wire rope cap. 1st layer m	2	2	2,5	<b>2,5</b>
Max. rope capacity m	8,5	8,5	24	<b>24</b>
Wire rope Ø mm	5	5	4	<b>4</b>
Weight (without wire rope) kg	3,7	3,7	3,7	<b>3,7</b>
Lift per crank revolution mm	41	41	40	<b>40</b>
Max. hand force on crank kg	14	14	8	<b>8</b>



### HUCHEZ's advice

High force/compact and density ratio, many possibilities of wire rope exit (over 250°), clutch release impossible when loaded, accessible and very safe self-tightening rope attachment, rope guide for correct winding and a maximum safety with two ratchets.



HUCHEZ  
4, rue Michel Hammid  
60420 FERRIERES – France  
☎ +33 (0) 3 44 51 11 33  
Site internet : [www.huchez.com](http://www.huchez.com)  
E-mail : [contact@huchez.fr](mailto:contact@huchez.fr)



**SERVICE  
CLIENTS**



Pour en savoir plus, n'hésitez pas à nous contacter !  
*To know more, please contact us!*