

TIREX 300 kg - standard model



Hand spurgear winch 300 kg, standard model (with zinc-plated steel mounting plate).

Use:

- Lifting or pulling/hauling operations
- Indoor - Outdoor
- Operating temperature between -10°C and +50°C
- Flat position
- Lifting doors
- Opening of traps
- On trailers, masts...

Comply with Machines Directive 2006/42/EC. Developed and manufactured in accordance with standard NF E N 13157.

Technical properties

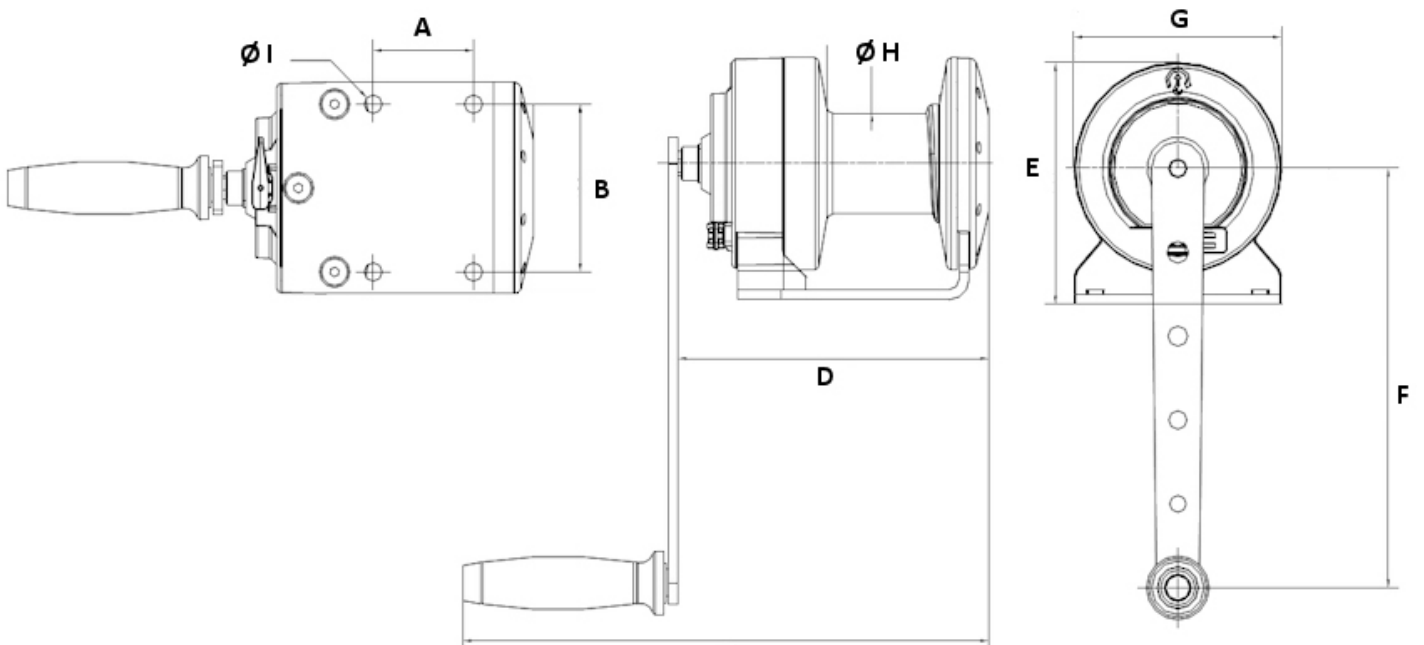
- A new generation, compact winch taking advantage of the qualities of composite materials and aluminium, especially their anti-corrosion properties.
- High force/compact and density ratio.
- Many possibilities of wire rope exit (over 250°).
- Ergonomically and comfortably shaped crank grip.
- Removable crank.
- Stainless steel spring and pawls.
- Automatic brake.
- Zinc-plated steel mounting plate.
- Disengageable drum, no load only, associated with a failsafe system in the rope wind direction (patented).
- Planetary reducer in a sealed casing.
- Gear system with satellite pinions offering excellent mechanical balance and reducing the effort required on the crank.

Technical characteristics of TIREX 300 kg - standard model

| | |
|-------------------------------|-----|
| Capacity 1st layer kg | 400 |
| Capacity top layer kg | 300 |
| Nb of layers | 3 |
| Wire rope cap. 1st layer m | 2 |
| Max. rope capacity m | 8,5 |
| Wire rope Ø mm | 5 |
| Weight (without wire rope) kg | 3,7 |
| Lift per crank revolution mm | 41 |
| Max. hand force on crank kg | 14 |

Dimensions

| | |
|------|-----|
| A mm | 61 |
| B mm | 100 |
| C mm | 320 |
| D mm | 189 |
| E mm | 144 |
| F mm | 250 |
| G mm | 126 |
| H mm | 60 |
| I mm | 11 |



Technical characteristics of the other models of the range

| References | TIREX300INOX | TIREX300 | TIREX150 | TIREX150INOX |
|-------------------------------|--------------|------------|----------|--------------|
| Capacity 1st layer kg | 400 | 400 | 250 | 250 |
| Capacity top layer kg | 300 | 300 | 150 | 150 |
| Nb of layers | 3 | 3 | 6 | 6 |
| Wire rope cap. 1st layer m | 2 | 2 | 2,5 | 2,5 |
| Max. rope capacity m | 8,5 | 8,5 | 24 | 24 |
| Wire rope Ø mm | 5 | 5 | 4 | 4 |
| Weight (without wire rope) kg | 3,7 | 3,7 | 3,7 | 3,7 |
| Lift per crank revolution mm | 41 | 41 | 40 | 40 |
| Max. hand force on crank kg | 14 | 14 | 8 | 8 |



HUCHEZ's advice

High force/compact and density ratio, many possibilities of wire rope exit (over 250°), clutch release impossible when loaded, accessible and very safe self-tightening rope attachment, rope guide for correct winding and a maximum safety with two ratchets.



HUCHEZ
4, rue Michel Hammid
60420 FERRIERES – France
☎ +33 (0) 3 44 51 11 33
Site internet : www.huchez.com
E-mail : contact@huchez.fr



SERVICE
CLIENTS

Pour en savoir plus, n'hésitez pas à nous contacter !
To know more, please contact us!

