

TRAKZIO 2400 kg - 12 m/min



Electric winch 2400 kg. Range of electric winches with a large winding capacity allowing them to address a wide range of uses. For pulling/hauling applications only.

Use:

- Pulling/Hauling applications only
- Industry
- Building and public works
- Launch of bridges
- Rail: moving wagons or trains
- Heavy loads pulling
- Conveyor belt tensioning

Made in France. Comply with Machines directive 2006/42/EC.

Technical properties

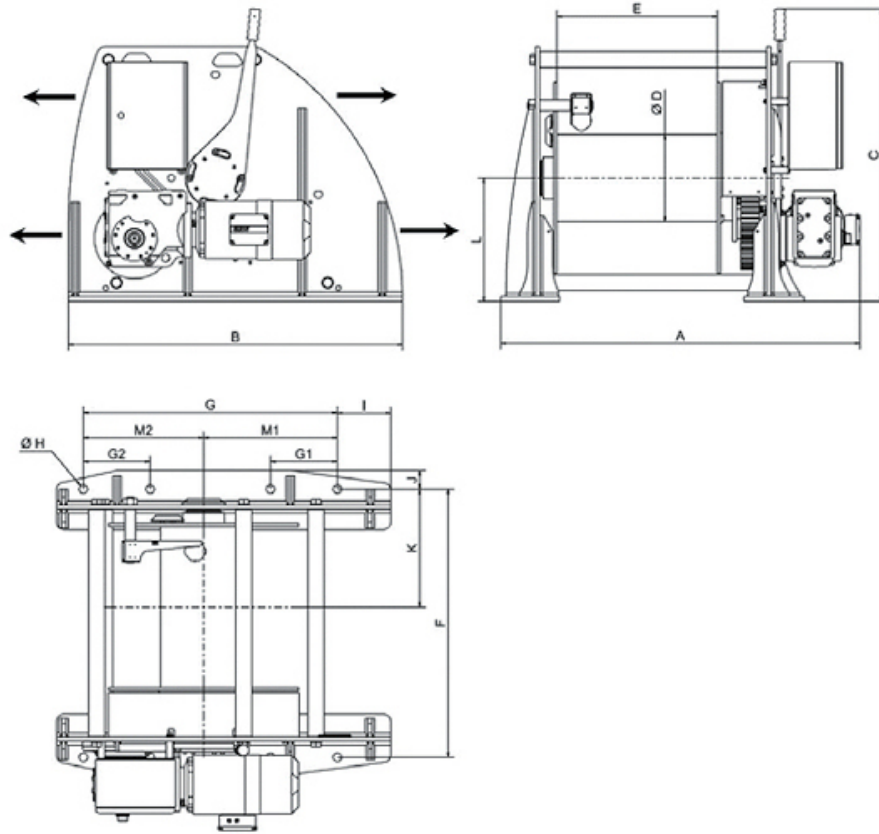
- Rugged and reliable parts.
- Wall mounting possibility.
- Steel mechano-welded structure shot-blasted and painted.
- Automatic lack of current brake.
- Asynchronous motor. IP 54 Protection.
- 230/400 V - 50 Hz three-phase motor. P = 2,2 kW.
- Electric control box mounted on the winch and 3 dead turns detector limit switch included.
- Low voltage control protects the user from electrical risks : 1 speed model. Models with frequency inverter available. Models Dynamic Power Optimization (DPO) available: consult us.
- Reliable electric and electronic components.
- Manual drum release when no load, ergonomic and secure.
- Thermal circuit breaker.
- Limit switch optional.
- 3 buttons pendant control (Wind - Unwind - Emergency stop), removable (3 m long cable).
- Standard drum length: 600 mm.
- Options available: bottom frame, tubular protection, radio control... : consult us.

Technical characteristics of TRAKZIO 2400 kg - 12 m/min

References	TRAKZIO_2400S12
Capacity 1st layer kg	2400
Capacity top layer kg	1900
Nb of layers	5
Wire rope cap. 1st layer m	48
Max. rope capacity m	290
Wire rope Ø mm	12
Fixed speed 1st layer m/min	9
Fixed speed top layer m/min	12
Motor kW	4
Power	3Ph-230/400V
Weight (without wire rope) kg	915

Dimensions

References	TRAKZIO_2400S12
A mm	Consult us
B mm	1250
C mm	1090
D mm	Ø 324
E mm	600
F mm	1000
G mm	950
H mm	8 x Ø33
I mm	200



Technical characteristics of the other models of the range

References	TRAKZIO_1300S06BT	TRAKZIO_1300S13BT	TRAKZIO_2100S05BT	TRAKZIO_2100S12BT	TRAKZIO_2400S06BT
Capacity 1st layer kg	1300	1300	2100	2100	2400
Capacity top layer kg	1000	1000	1500	1500	1900
Nb of layers	5	5	5	5	5
Wire rope cap. 1st layer m	45	45	30	30	48
Max. rope capacity m	275	275	200	200	290
Wire rope Ø mm	8	8	12	12	12
Fixed speed 1st layer m/min	5	10	3,5	8,5	5
Fixed speed top layer m/min	6	13	5	12	6
Adjustable speed 1st layer m/min					
Adjustable speed top layer m/min					
Maxi. speed 1st layer m/min					
Maxi. speed top layer m/min					
FEM					
Motor kW	2,2	4	2,2	5,5	2,2
Power	3Ph-230/400V	3Ph-230/400V	3Ph-230/400V	3Ph-230/400V	3Ph-230/400V
Weight (without wire rope) kg	235	240	235	235	915

References	TRAKZIO_2400S12BT	TRAKZIO_4200S04BT	TRAKZIO_4200S07BT	TRAKZIO6500S2BT	TRAKZIO6500S4BT
Capacity 1st layer kg	2400	4200	4200	6500	6500
Capacity top layer kg	1900	3200	3200	4600	4600
Nb of layers	5	5	5	5	5
Wire rope cap. 1st layer m	48	44	44	32	32
Max. rope capacity m	290	270	270	210	210
Wire rope Ø mm	12	13	13	18	18
Fixed speed 1st layer m/min	9	3	5,5	2	3
Fixed speed top layer m/min	12	4	7	2,5	4
Adjustable speed 1st layer m/min					
Adjustable speed top layer m/min					
Maxi. speed 1st layer m/min					
Maxi. speed top layer m/min					
FEM					
Motor kW	4	2,2	4	2,2	4
Power	3Ph-230/400V	3Ph-230/400V	3Ph-230/400V	3Ph-230/400V	3Ph-230/400V
Weight (without wire rope) kg	915	925	925	955	955

References	TRAKZIO6500S10BT	TRAKZIO10000S4BT	TRAKZIO15000S6BT
Capacity 1st layer kg	6500	10000	15000
Capacity top layer kg	4600	7000	10000
Nb of layers	5	5	5
Wire rope cap. 1st layer m	32	43	39
Max. rope capacity m	210	280	263
Wire rope Ø mm	18	22	24
Fixed speed 1st layer m/min	7,5	3	4
Fixed speed top layer m/min	10	4	6
Adjustable speed 1st layer m/min			
Adjustable speed top layer m/min			

Maxi. speed 1st layer m/min			
Maxi. speed top layer m/min			
FEM			
Motor kW	11	5,5	11
Power	3Ph-230/400V	3Ph-230/400V	3Ph-230/400V
Weight (without wire rope) kg	955	consult us	consult us



HUCHEZ's advice

A large winding capacity allowing them to address a wide range of uses. Reliability, numerous options available. Strong points: manual drum release when no load ergonomic and secure, its 3 dead turns detector limit switch.



HUCHEZ
 4, rue Michel HAMMID
 60420 FERRIERES – France
 +33 (0) 3 44 51 11 33
 www.huchez.com
 contact@huchez.fr



SERVICE CLIENTS
 ATENCIO AL CLIENTE
 KUNDENSERVICE



Pour en savoir plus, n'hésitez pas à nous contacter!
 To know more, please contact us!
 Para más información, póngase en contacto con nosotros!
 Für weitere Informationen können Sie sich gerne an uns wenden!